

UniFi UISP Branding

Switching WiFi Camera Security Door Access CloudKeys & Gateways Power Tech New I

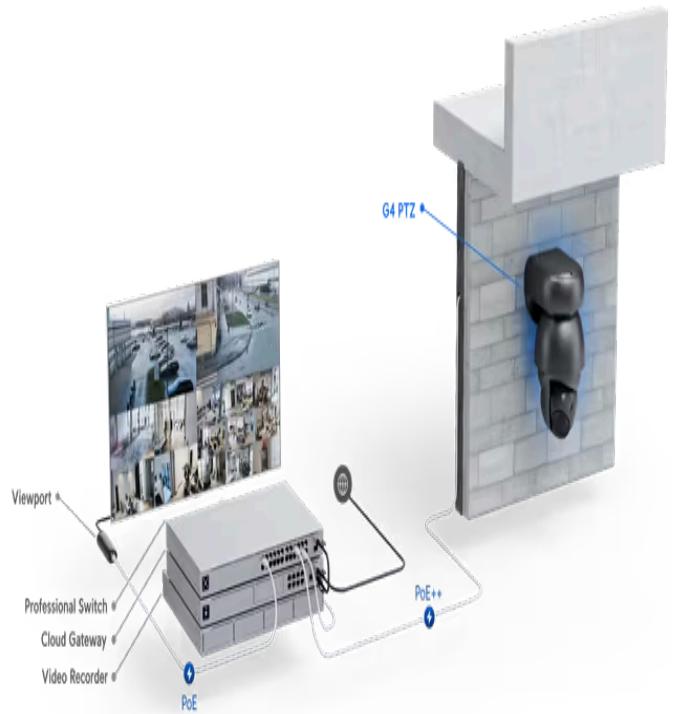
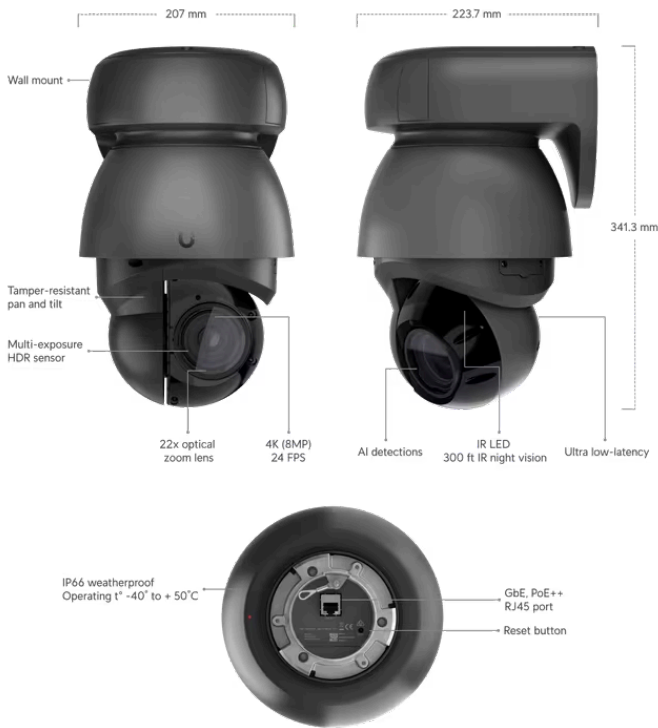
Camera Security > [G4 PTZ Industrial](#)

Datasheet

In The Box

Marketing Images

Installation Guide



Mechanical

Dimensions 207 x 223.7 x 341.3 mm (8.2 x 8.8 x 13.4")

Weight Without mount: 3.8 kg (8.4 lb)
With mount: 6.8 kg (15 lb)

Enclosure material Metal, plastic

Mount material Metal

Sensor	8MP 1/1.8" CMOS
Lens	22x optical zoom
View angle	H: 3 to 64°, V: 2 to 37°
Night mode	Built-in IR LED illumination and IR cut filter

Video

Resolution	8MP 3840 x 2160 (16:9)
Max. frame rate	24 FPS

System

Networking interface	GbE RJ45 port
Max. power consumption	42.9W
Power method	PoE++
Supported voltage range	42.5—57V
Button	Factory reset
Mounting	Wall mount (Included)
Ambient operating temperature	-40 to 50° C (-40 to 122° F)
Ambient operating humidity	0 to 90% noncondensing
Certifications	FCC, IC, CE

Software

Web application	UniFi Protect
Mobile app	UniFi Protect iOS™ and Android™

Stay in Touch



[Terms and Conditions](#) | [Terms of Service](#) | [Privacy Policy](#) | [Return Policy](#) | [Cookies Settings](#)

© 2024 Ubiquiti, Inc. All rights reserved.