

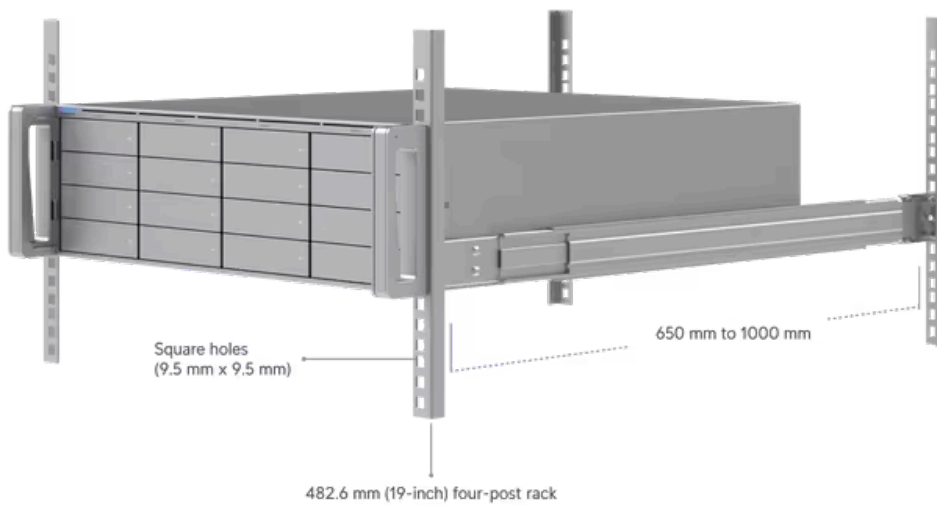
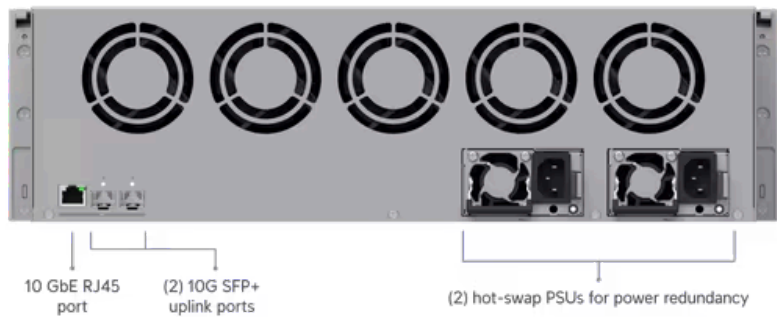
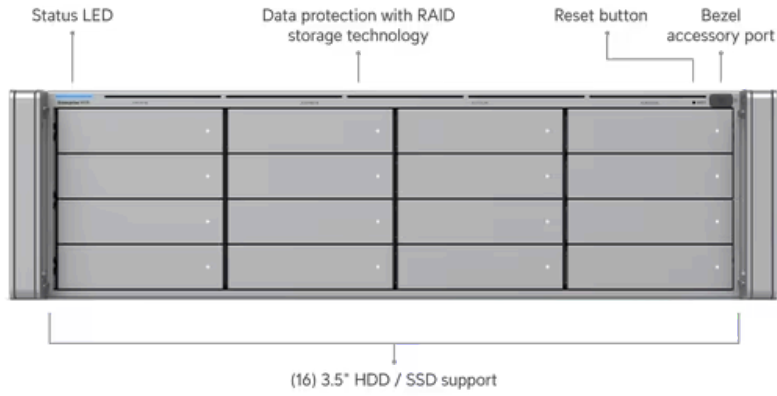
[UniFi](#) [UISP](#) [Branding](#)

[Switching](#) [WiFi](#) [Camera Security](#) [Door Access](#) [CloudKeys & Gateways](#) [Power Tech](#) [New I](#)

[NVRs & Viewport](#) > [Enterprise Network Video Recorder](#)

[Datasheet](#)

In The Box	Marketing Images	Installation Guide
----------------------------	----------------------------------	------------------------------------



Mechanical

Dimensions	481.4 x 480 x 132 mm (19 x 18.9 x 5.2")
Weight	16.6 kg (36.6 lb)
Enclosure material	SGCC steel
Mount material	Aluminum
Slide rails support	The rails support 482.6 mm (19") four-post racks with square holes (9.5 x 9.5 mm) and posts depths ranging from 650 to 1000 mm (25.6–39.4")

Hardware

Management interface	Ethernet In-Band
Networking interface	(1) 1/2.5/5/10 GbE RJ45 port (2) 1/10 GbE SFP+ ports
Power method	(2) AC input, 100-240V, 7A Max., 50/60Hz (redundant, hot-swappable)
Power supply	Hot-swappable 550W CRPS
Supported voltage range	100—240V AC
Max. power consumption	410W
Max. power budget for Drives	310W
ESD/EMP protection	Air: ± 12kV, contact: ± 8kV
Button	Factory reset
Ambient operating temperature	-5 to 40° C (23 to 104° F)
Ambient operating humidity	5 to 95% noncondensing
Certifications	FCC, CE, IC

Capacity

HD cameras	210
2K cameras	140
4K cameras	70

LEDs

System	(1) Power: blue/white Flashing white: bootup in progress
---------------	---

Flashing blue: firmware upgrading
Steady white: factory defaults, awaiting adoption
Steady blue: device is adopted

Ethernet

Green: link/activity

SFP+

Green: link/activity

HDD

White: disk detected
Amber: disk error

Stay in Touch

[Terms of Service](#) | [Privacy Policy](#) | [Legal](#) | [Cookies Settings](#)

© 2024 Ubiquiti, Inc. All rights reserved.