

AI 12X Mini PTZ Dome Network Camera



IP66

IK10



DATASHEET

KEY FEATURES

- ▶ Smart Stream (Bandwidth, storage and bit rate are saved with Smart Stream On, eg, H.265+ saves 70%~80% bandwidth that of H.264.)
- ▶ 0.002Lux Starlight (Delivering detailed color image even in the low light environments reaching 0.002Lux (Color) or 0Lux (B/W).)
- ▶ 140dB Super WDR (Excellent performance even when the ratio of the luminosity of brightest and darkest is up to 140dB.)
- ▶ Advanced Functions (Boasting to support various advanced functions such as HLC, Defog, ROI.)
- ▶ Intelligent Auto Tracking (Intelligent Pan/Tilt/Zoom to precisely track the detected human and vehicle.)
- ▶ 255 Preset Positions (The user can easily control the lens position via mouse to monitor interested area and set up to 255 preset positions for patrolling.)
- ▶ 12X Optical Zoom (Zooming up to distant subjects while still maintaining clarity.)
- ▶ Keyboard Control (Shortcut keys for PTZ control via Milesight Keyboard.)

AI Video Analytics

Powered by advanced AI engine, Milesight new generation video analytics boasts with higher accuracy via a pre-trained deep learning model and continuously training to algorithms automatically. Milesight cameras can intelligently filter objects to focus on human and vehicle detection, together with multiple event rules including face detection, people counting, loitering, etc. to meet diverse scenarios for building a smarter and safer world.



Smart IR II Technology

It allows the camera to catch better images regardless of object distance with High Beams and Low Beams whose brightness could be adjusted manually or automatically. Also, the innovative IR Anti-reflection Panel protects the lens from IR interference.



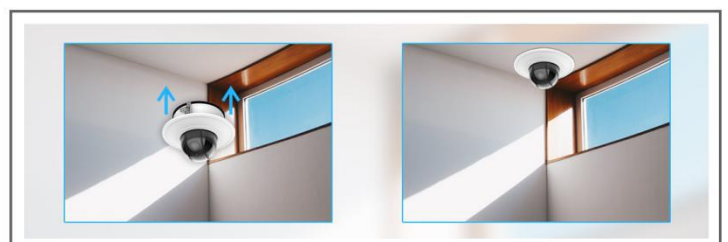
High Speed & Precise Movement

With a sophisticated pan/tilt mechanism, the 12X H.265 Mini PTZ Dome Network Camera provides fast, precise movement with 360° endless pan and -5~90° (Auto Flip). Maximum pan speed of 450°/s and tilt speed of 360°/s make the camera a mighty Speed Dome model.



Recessed Installation

With recessed installation, the 12X H.265 Mini PTZ Dome Network Camera is easily blend in with the environment to provide discreet surveillance.



AI 12X Mini PTZ Dome Network Camera



	Model	MS-C2971-X12RPC (2MP)	MS-C5371-X12PC (5MP)
Camera	Image Sensor	1/2.8" Progressive Scan CMOS	
	Min. Illumination	Color: 0.002Lux@F1.2	Color: 0.005Lux@F1.2
		Color: 0.005Lux@F1.6	Color: 0.008Lux@F1.6
		B/W: 0Lux with IR on	B/W: 0Lux with IR on
	WDR	140dB Super WDR	120dB Super WDR
	Shutter Time	1/100000s~1s	
	Digital Zoom	16X	
	Day/Night Mode	Day/Night/Auto/Customize/Schedule	
S/N	>55dB		
Lens	Focal Length	5.3~64mm , 12X Optical Zoom	5.3~64mm, 12X Optical Zoom
	Zoom Speed	Approx 4s (Wide-Tele)	
	Field of View	H61°~H5°/D69°~D5°/ V36°~V2°	H57°~H4°/D69°~D5°/ V44°~V1°
	Focus Control	Auto/Semi-Auto/Manual	
	Minimum Working Distance	1000~1500mm (Wide-Tele)(5.3~64mm) / 100~1500mm (Wide-Tele)(5~117mm)	
	Aperture	F1.6~F2.8	
	Iris Control	Auto	
PTZ	Pan Range / Pan Speed	360° endless; Pan Manual Speed: 0.1°~450°/s, Pan Preset Speed: 450°/s	
	Tilt Range / Tilt Speed	-5°~90° (Auto Flip); Tilt Manual Speed: 0.1°~360°/s, Tilt Preset Speed: 360°/s	
	Proportional Zoom	Support	
	Preset Quantity	255	
	Patrol	8 Patrols, up to 48 presets each patrol	
	Pattern	4 Patterns	
	Auto Tracking	Support	
	Power Off Memory	Support	
Other Function	Auto Scan, Auto Home, Preset Freezing, 3D Positioning, PTZ Limits, Initial Position		
IR	IR Distance	Up to 120m	
	IR Angle	Auto/Manual	
Video	Max. Image Resolution	1920x1080	2592x1944
	Primary Stream	60fps@(1920x1080, 1280x960, 1280x720, 704x576)	30fps@(2592x1944), 45fps@(2048x1536), 60fps@(1920x1080, 1280x960, 1280x720, 704x576)
	Secondary Stream	60fps@(704x576, 640x480, 640x360, 352x288, 320x240, 320x192, 320x180)	
	Tertiary Stream	30fps@(1920x1080, 1280x720, 704x576, 640x480, 640x360, 320x240, 320x192, 320x180)	
	Video Compression	H.265*/H.265(HEVC)/H.264*/H.264/MJPEG	
	Video Bit Rate	16Kbps~16Mbps(CBR/VBR Adjustable)	
	Privacy Masking	Up to 8 areas	
	ROI	Up to 8 areas	
	Image Setting	Brightness/Contrast/Saturation/Sharpness	
Interface	Ethernet	1*RJ45 10M/100M Ethernet Port	
	Audio I/O	1/1	
	Alarm I/O	1/1	

AI 12X Mini PTZ Dome Network Camera

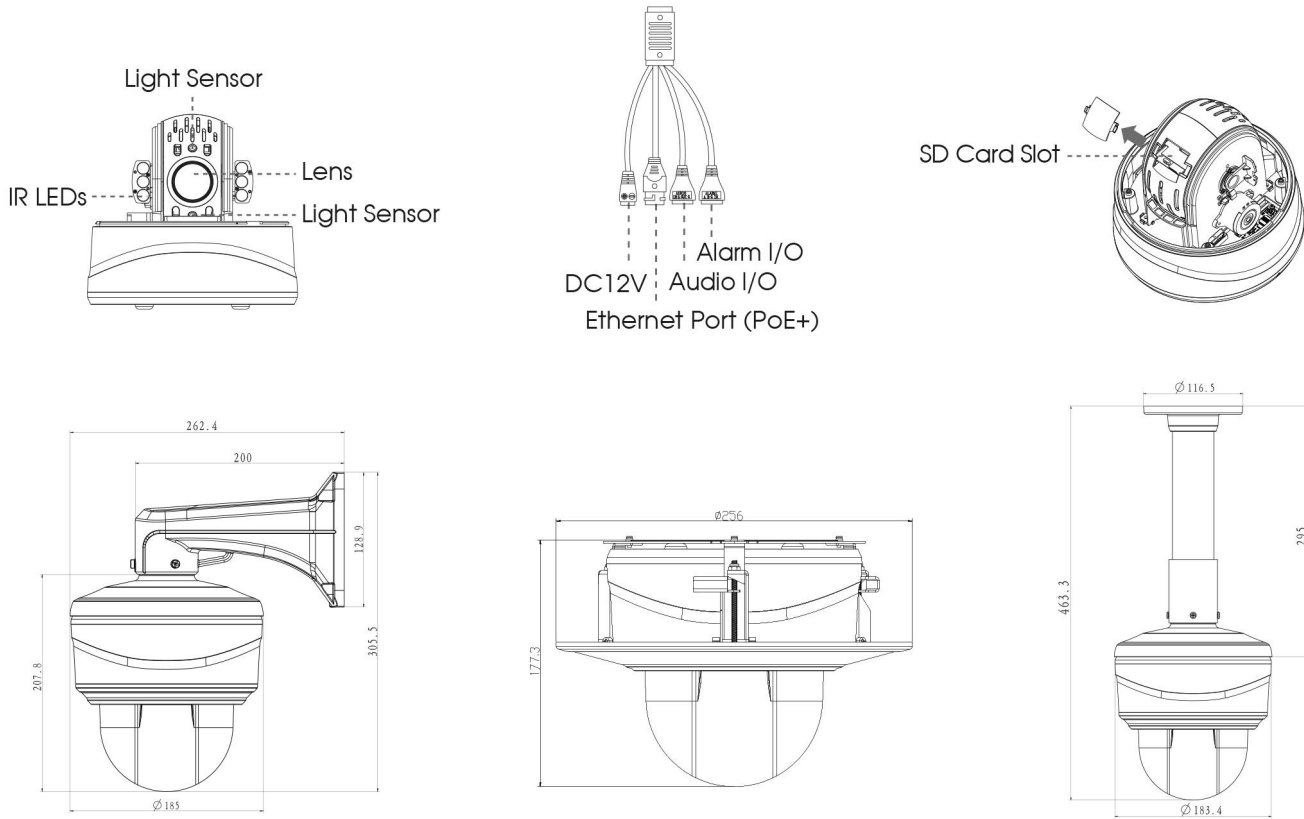


Network	Network Storage	NAS(Support NFS, SMB/CIFS), ANR				
	Protocol	IPv4/IPv6, ARP, TCP, UDP, RTCP, RTP, RTSP, RTMP, HTTP, HTTPS, DNS, DDNS, DHCP, FTP, NTP, SMTP, SNMP, UPnP, Bonjour, SIP, PPPoE, VLAN, 802.1x, QoS, IGMP, ICMP, SSL				
Audio	Audio Compression	G.711/AAC/G.722/G.726				
	Audio Sampling Rate	8/16/32/44.1/48KHz				
	Audio Bit Rate	16~256kbps				
	Two-way Audio	Support				
System	Storage	Support microSD/SDHC/SDXC Card Local Storage, up to 256G				
	Advanced Function	Auto Tracking, BLC, HLC, 2D DNR, 3D DNR, Defog, AWB, EIS, IP Address Filtering, AGC, Anti-flicker, Corridor Mode, Deblur, Watermark				
	SIP/VoIP Support	Yes, Voice & Video-over-IP				
	Event Trigger	Motion Detection, Network Disconnection, External Input, Audio Alarm, etc.				
	Event Action	FTP Upload, SMTP Upload, SD Card Record, External Output, SIP Phone, PTZ Motion, HTTP Notification, etc.				
	Video Analysis	Region Entrance, Region Exiting, Advanced Motion Detection, Tamper Detection, Line Crossing, Loitering, Human Detection, People Counting, Object Left, Object Removed				
	System Compatibility	ONVIF Profile G & Q & S & T, API				
General	Working Condition	Temperature: -40°C~60°C / Humidity: 0~90%(Non-condensing)				
	Power Supply	PoE (802.3at) / DC 12V/3A ± 10%				
	Power Consumption	<table style="width: 100%; border: none;"> <tr> <td style="text-align: center;">10W MAX</td> <td style="border-left: 1px dashed black; text-align: center;">10.5W MAX</td> </tr> <tr> <td style="text-align: center;">17.9W MAX (With IR on)</td> <td style="border-left: 1px dashed black; text-align: center;">18.6W MAX (With IR on)</td> </tr> </table>	10W MAX	10.5W MAX	17.9W MAX (With IR on)	18.6W MAX (With IR on)
	10W MAX	10.5W MAX				
	17.9W MAX (With IR on)	18.6W MAX (With IR on)				
	Weather Proof/Housing	Up to IP66-rated for Weather-resistant Performance / Vandal-proof IK10-rated Metal Housing				
	Surge Protection	4KV				
Dimensions/Weight	Φ183mmX174.8mm/2Kg					
Warranty	2 Years / 3 Years (Optional)					

AI 12X Mini PTZ Dome Network Camera



Structure Diagrams



Units: mm

Accessories Support

A01 Pole Mount

Weight: 720g
Dimensions: 170*51.5*152.6mm



A03 External Corner Bracket

Weight: 900g
Dimensions: 170*152.6*76.3mm



A42-L Extension Lever

Weight: 325g
Dimensions: 57*250mm



A43 Junction Box

Weight: 1000g
Dimensions: 195*164*80mm



A77 Wall Mount

Weight: 650g
Dimensions: 262*185*138mm



A78 Recessed Mount

Weight: 715g
Dimensions: 256*256*94mm



A79 Pendant Mount

Weight: 850g
Dimensions: 256*256*245mm



Milesight Technology Co.,Ltd. | www.milesight.com

Contact Us: sales@milesight.com | support@milesight.com

Add: 220 NE 51st Street, Oakland Park, Florida 33334, USA
Tel: +1-800-561-0485

Add: 925, Anyang SK V1 Center, LS-ro 116beon-gil, Dongan-gu, Anyang-si, Korea
Tel: +82-31-990-7732

Add: No.23 Wanghai Road, 2nd Software Park, Xiamen, China
Tel: +86-592-5922772

